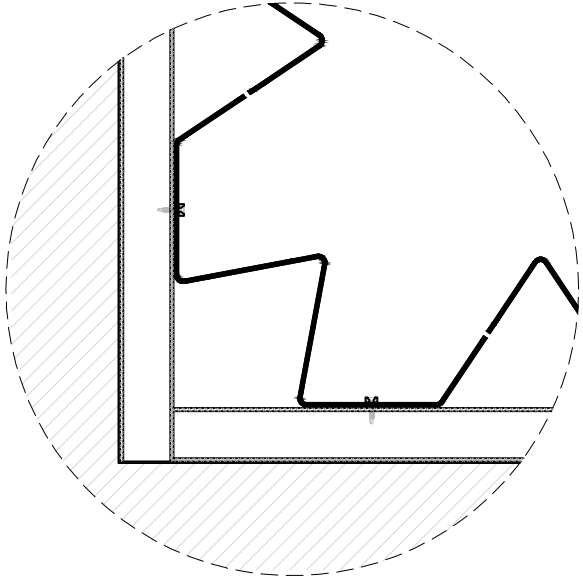


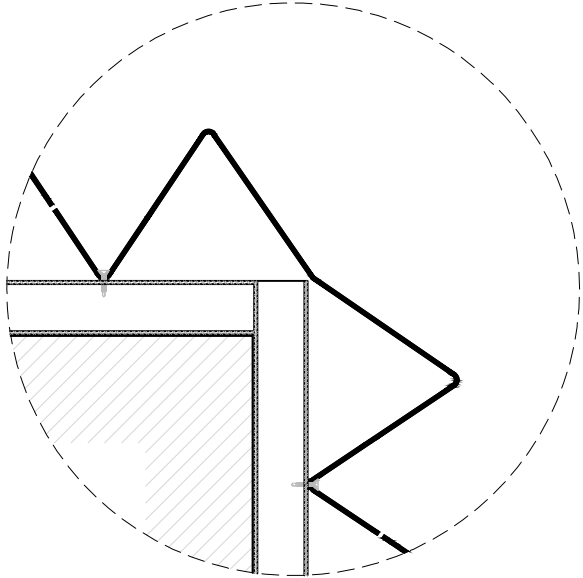
SOLIDAL® PMP V1 : CORNER OPTIONS

Customised Corner Moulds Available***

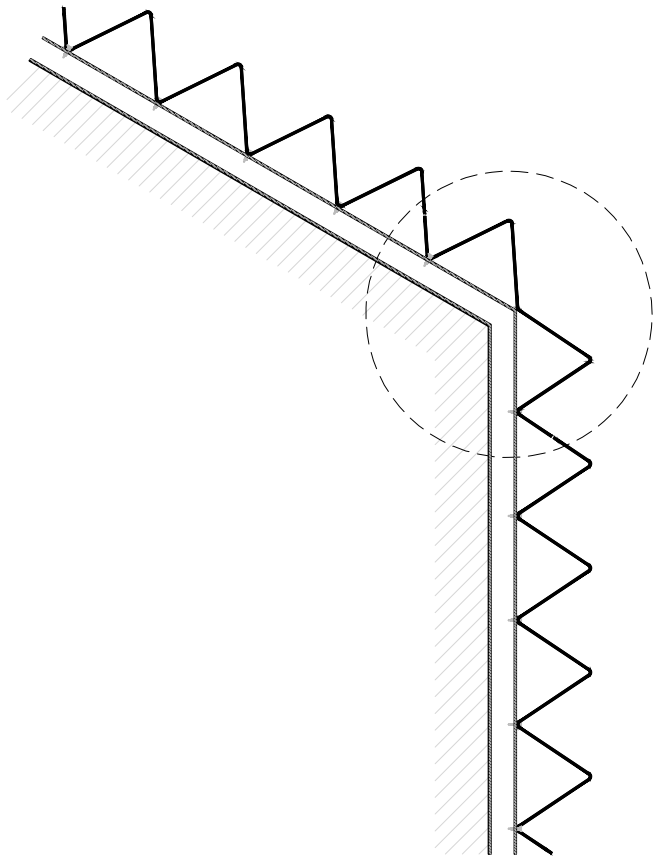
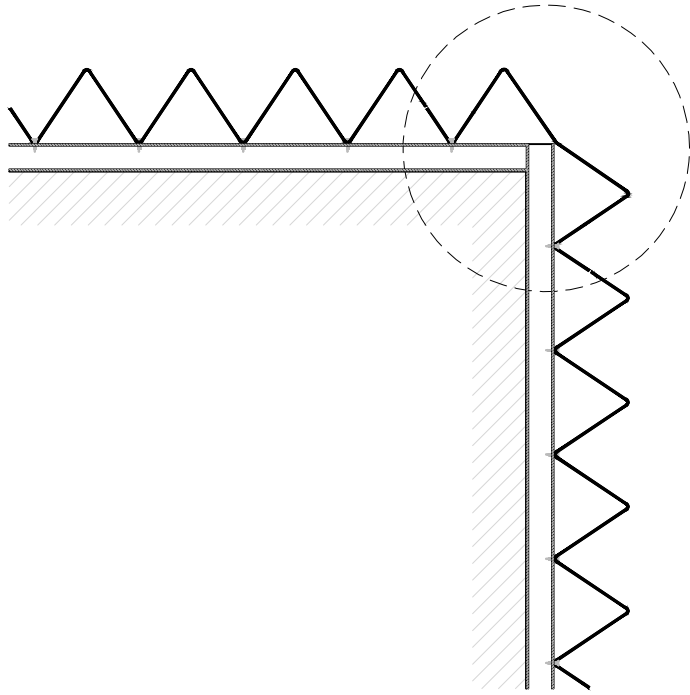
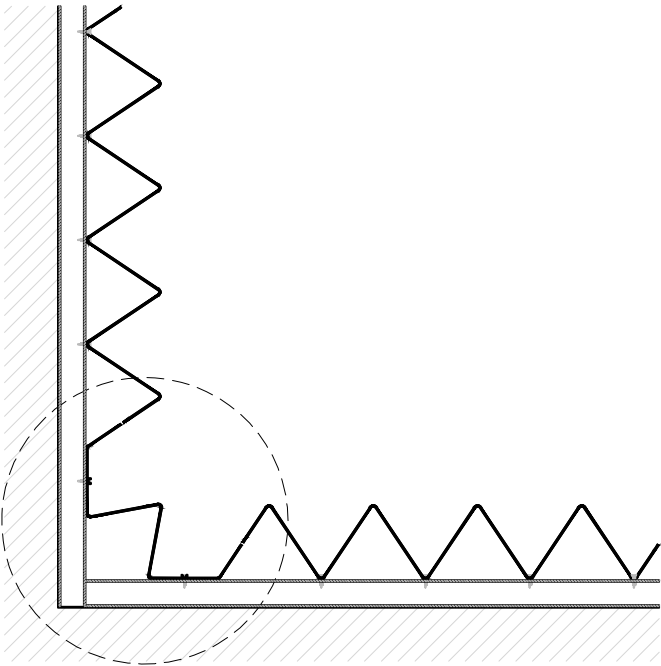
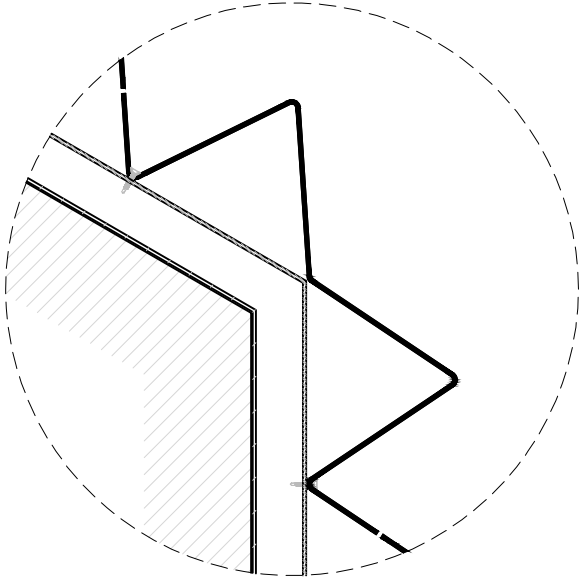
Internal Corner 90°



External Corner 90°



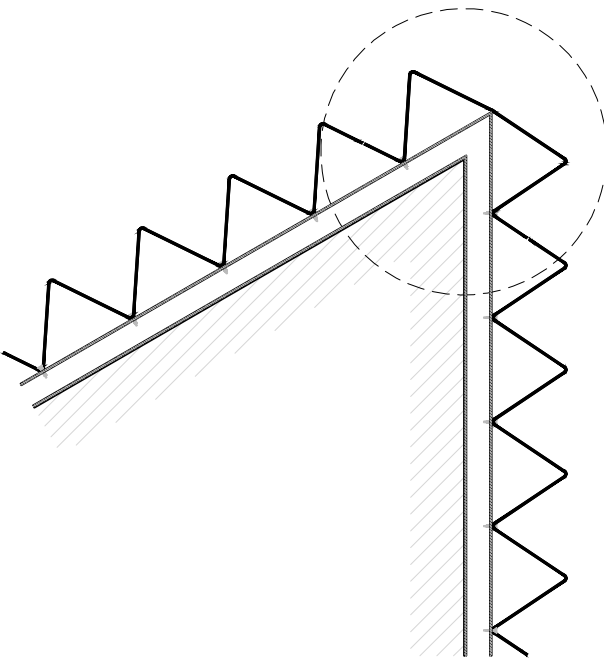
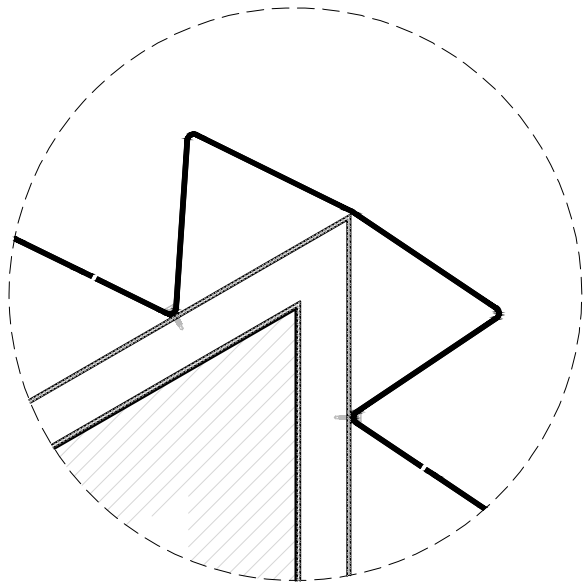
External Corner 120°



SOLIDAL® PMP V1 : CORNER OPTIONS

Customised Corner Moulds Available***

External Corner 60°



External Corner 90°
(without a corner mould)

