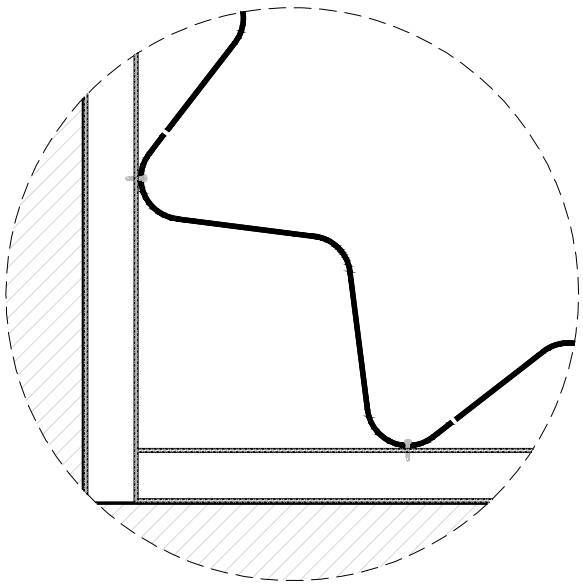


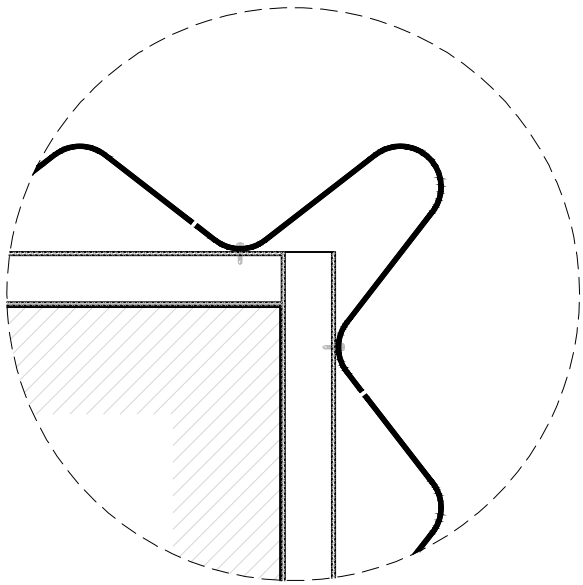
**SOLIDAL® PMP V3 : CORNER OPTIONS**

Customised Corner Moulds Available\*\*\*

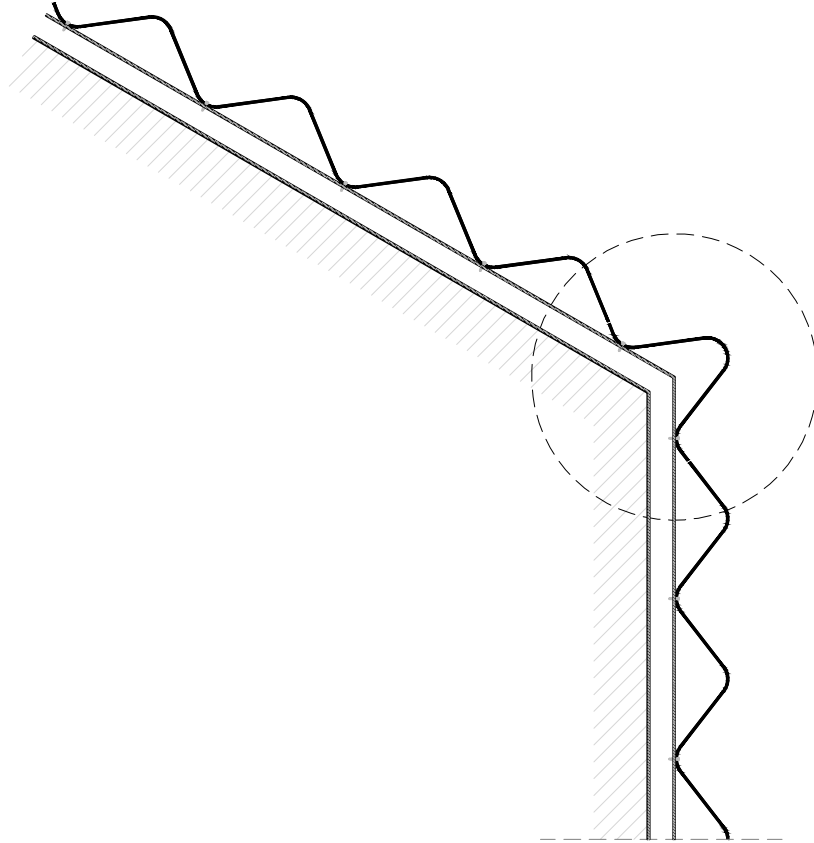
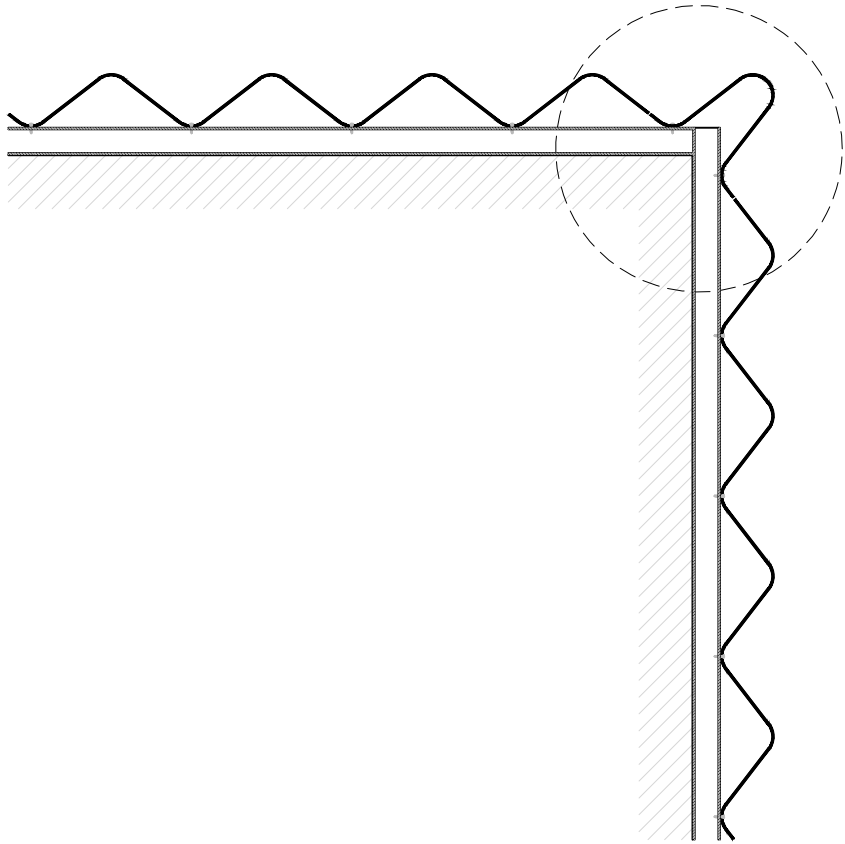
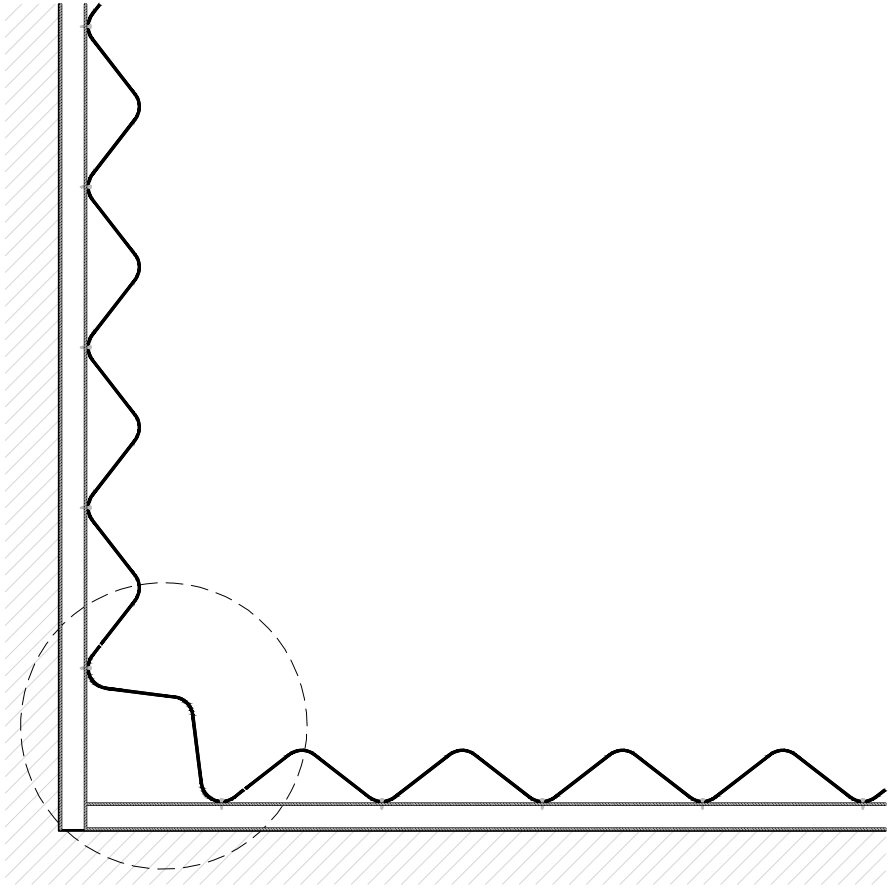
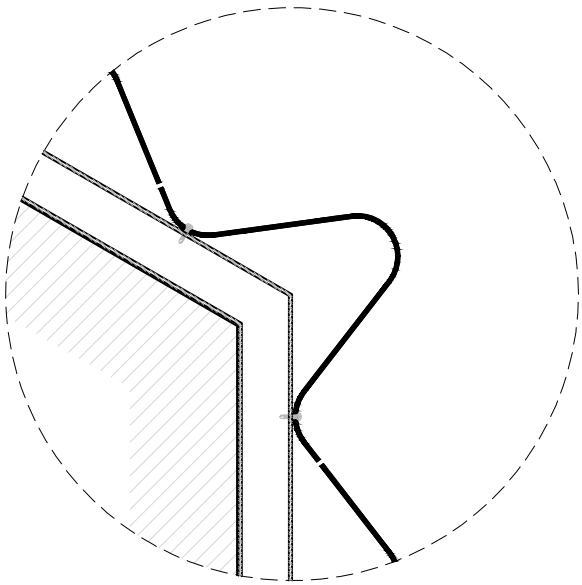
Internal Corner 90°



External Corner 90°



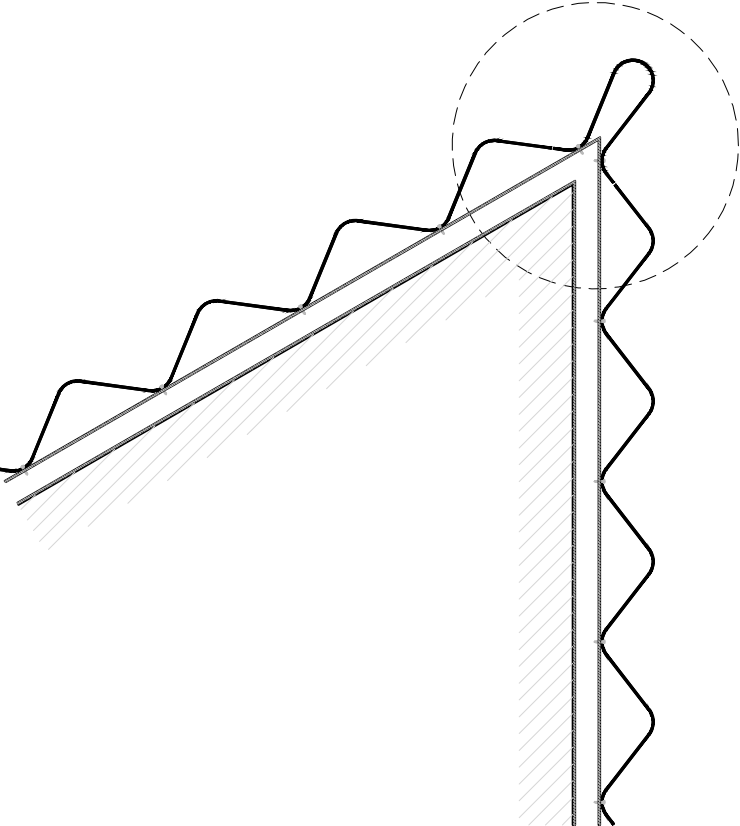
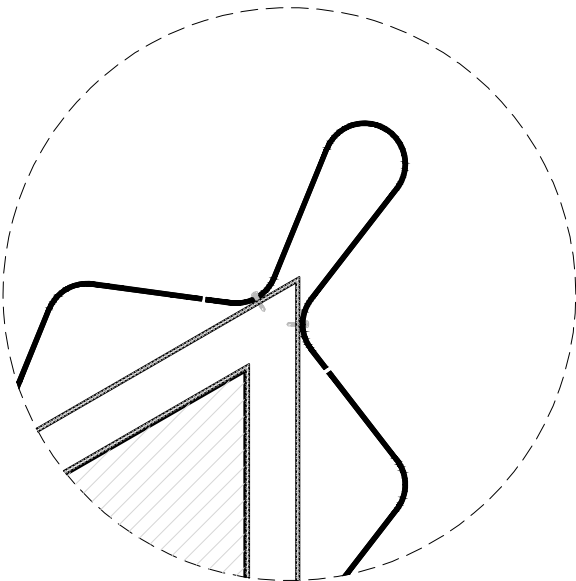
External Corner 120°



**SOLIDAL® PMP V3 : CORNER OPTIONS**

Customised Corner Moulds Available\*\*\*

External Corner 60°



External Corner 90°  
(without a corner mould)

